



Monoaxial stretched tapes made of polypropylene coloured

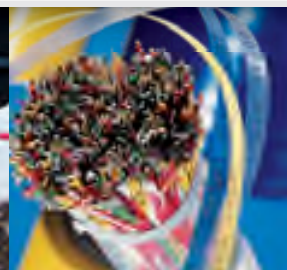
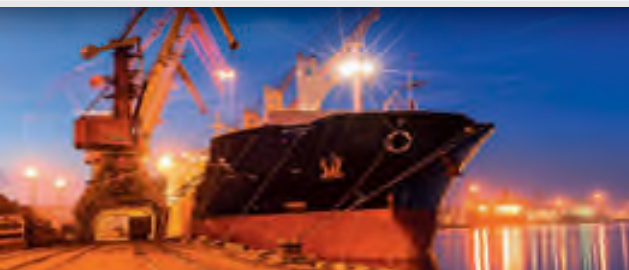
Printed cable identification tapes, which have the same properties as original tapes, can be manufactured thanks to Lenzing Plastics innovative know-how. They can be characterized by a high tear strength, no moisture absorption and resistance to all cable materials. The high tenacity of the tape remains intact thanks to a special printing process.

Due to the fact that both flexo- and inkjet printing technique are offered, customers can benefit from various advantages:

- Printing of texts, numbers, logos, colours or subsequential meter markings
- Small lot sizes can be provided to customers without any charges for printing blocks
- The very high flexibility of the process means delivery dates can be shortened to a minimum
- Printing is done on final tapes, thus we can guarantee a legible text all the time as a cutting of the text won't occur
- Basis tape for printing:
Polypropylene, Polyester, Polyamide

Cable Identification Tapes Printed

Original tenacity despite printing



Cable Identification Tapes Printed

For solid binding

The printed cable identification tapes from Lenzing Plastics have the same tenacity as the original tapes. This makes them suitable for discerning applications in cable and rope identification and as spiral-wound reinforcement helixes in which a high tenacity is an absolute must. This product from Lenzing Plastics is the solution for anyone who is not willing to abandon high quality despite time pressure or small orders.

Lenzing Plastics GmbH & Co KG
Werkstraße 2, A-4860 Lenzing, Austria
Phone: +43 (0) 7672 701-3794
E-mail: cables@lenzing-plastics.com
www.lenzing-plastics.com

Lenzing
Plastics

Datasheet

Cable Identification Tapes Printed

monoaxial stretched tapes made of polypropylene coloured

Polymer:

- Polypropylene
- On request: PET (23 µm x 5mm)
Laminated PET Tapes (PET 23 µm / PET 23 µm)
Polyamid

Width:

- 3,0 mm ± 0,2 mm
- 5,0 mm ± 0,2 mm

Thickness:

Values	Tolerances
50 µm	45-55 µm
80 µm	75-85 µm

Colours:

Colour	Colour-code
■ natural	- - -
■ yellow	F 2072
■ orange	F 1105
■ red	F 0102
■ green	F 3128
■ blue	F 4033
■ violet	F 5014
■ grey	F 9011
■ black	F 9012
■ brown	F 7048

Printing:

- Flexprinting for numbers, texts, logos & colours

Properties:

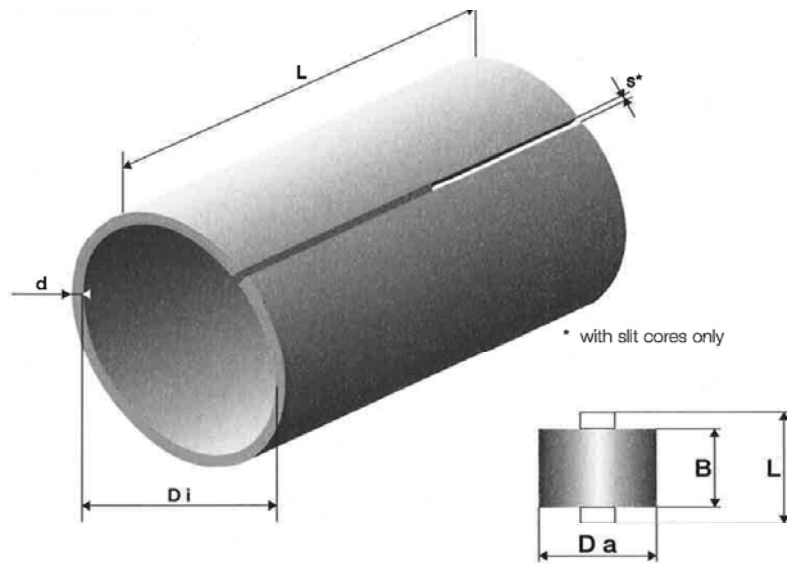
Values						
Thickness	DIN 53 370	µm	50	50	80	80
Width		mm	5	3	5	3
Titer	DIN 53 830/3	dtex	2280	1370	3650	2190
Breaking force	ISO 527	N	≥77	≥51	≥100	≥81
Elongation at break	ISO 527	%	≥18	≥20	≥20	≥20
Shrinkage HL 100 / 10	BS 4611 A2	%	≤5	≤5	≤5	≤5

Datasheet

Cable Identification Tapes Printed

monoaxial stretched tapes made of polypropylene coloured

Core-dimensions



Material	P	P	K+P
L mm	170	110	105
Di mm	92	92	65
d mm	8	8	K5 / P7
slit	✓	✓	✓
unslit	✓	✓	
s	as narrow as possible		
Da** mm	200	180	150
B mm	160	100	98

** standard, other outer diameters on request

L length of core
 Di inner diameter of core
 d wall thickness
 Da outer diameter of roll
 B winding width

P cardboard
 K plastic




Other diameters on request

Subject to alteration!
 © by Lenzing Plastics 2014

Cable Identification Tape Printed

No real film samples, just graphics

Flexoprinting

- Texts 
- Logos 
- Numbers 
- Colours 